

Place and Play Catalogue 2023

Place & Play, Step Slide and Splash
Equipment

JANUARY 2023

CONTACT:

sales@waterslidessa.co.za

031 701 0711

LOCATION:

13 Hagart Rd

Pinetown

KZN

South Africa



Table of Contents

03

About Us

04

Place & Play

05

Stepslide

06

Splash
Equipment

07

Colour Options

About Waterslides SA



Waterslides SA is a proudly South African company with the goal of becoming the number one provider of high quality, safe to use water slides for resorts, hotels, water parks and residential homes in Africa. We are passionate about our products and the services we offer, which is why we oversee the manufacturing of our products with our partner company G7 Technology, ensuring you receive the best possible experience.

At Waterslides SA we want to make your dreams a reality. We can guide you, with the help of our partners, to achieve goals.

Waterslides SA supplies high quality, commercial grade and durable products, produced in line with international standards from Europe and the Americas.

The majority of the Waterslide SA Slides can be complimented with a shutdown lane versus the use of a standard pool entry piece. Shutdown lanes work best on a wet deck.



Quality



Health &
Safety



Maintenance

Place & Play

Our Place & Play range of slides are affordable, compact and easy to assemble, providing hours of safe waterpark fun.

Minispeed Slide



Dimensions: 6m x 1.6m x 2.6m

- High sides for optimum safety
- Integrated hand hold rails
- Non-slip grip steps and platform
- Includes pump and plumbing
- Includes installation manual

Sling Slide

Dimensions: 6m x 5m x 3m

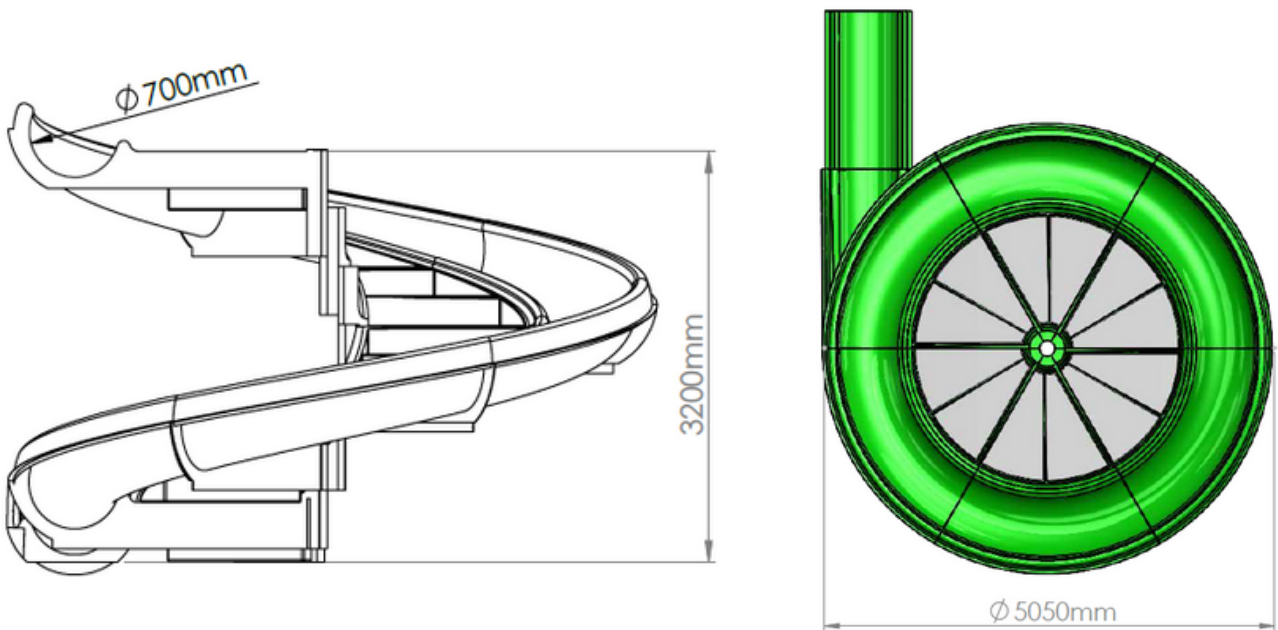
- High sides for optimum safety
- Integrated hand hold rails
- Non-slip grip steps and platform
- Includes pump and plumbing
- Includes installation manual
- Different entry options



Stepslide

Our Stepslide is a great feature piece that provides a full 360 degree turn with steps on the inside of the slide for a quick and safe climb back to the top.

Stepslide



Stepslide Combo

- The Stepslide works well with a combination of slides from the same platform.
- Most commonly coupled with the 650 Speed Slides or a Mississippi Slide.
- Also works well on a wet deck.



Splash Equipment

Splash equipment, used on a wet deck, provides added value to your water park for younger users.

- The effects of falling water in unknown intervals allows the younger user to get the thrill of being splashed in a safe environment.

Water Mushroom



*Available in 1.25m and 2m Diameter

Tipping Bucket



4-Way Tilting Cones



Colour Options

Recommended Colours



white



powder
grey



mineral
grey



mist grey



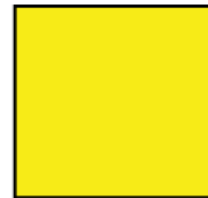
lime green



loerie
green



traffic
orange



canary
yellow



strong
blue



knysna blue



pool blue



jacaranda
purple



sandstone



linen



castaway
almond



light stone

*Other colour are available upon request.



**For inquiries,
contact us.**

www.waterslidessa.co.za
sales@waterslidessa.co.za
031-701-0722



@waterslidessa