

Product Catalogue 2023

Custom, Place & Play and Splash
Equipment

JANUARY 2023

CONTACT:

sales@waterslidessa.co.za

031 701 0711

LOCATION:

13 Hagart Rd

Pinetown

KZN

South Africa



Table of Contents

03

About Us

04

Place & Play

05

Stepslide

06

Types of
Custom Slides

07

Speed Slides

09

Flume Slides

11

Enclosed Slides

12

Splash
Equipment

13

Wet Deck

14

Slide
Specifications

15

Colour Options

About Waterslides SA



Waterslides SA is a proudly South African company with the goal of becoming the number one provider of high quality, safe to use water slides for resorts, hotels, water parks and residential homes in Africa. We are passionate about our products and the services we offer, which is why we oversee the manufacturing of our products with our partner company G7 Technology, ensuring you receive the best possible experience.

At Waterslides SA we want to make your dreams a reality. We can guide you, with the help of our partners, to achieve goals.

Waterslides SA supplies high quality, commercial grade and durable products, produced in line with international standards from Europe and the Americas.

The majority of the Waterslide SA Slides can be complimented with a shutdown lane versus the use of a standard pool entry piece. Shutdown lanes work best on a wet deck.



Quality



Health &
Safety



Maintenance

Place & Play

Our Place & Play range of slides are affordable, compact and easy to assemble, providing hours of safe waterpark fun.

Minispeed Slide



Dimensions: 6m x 1.6m x 2.6m

- High sides for optimum safety
- Integrated hand hold rails
- Non-slip grip steps and platform
- Includes pump and plumbing
- Includes installation manual

Sling Slide

Dimensions: 6m x 5m x 3m

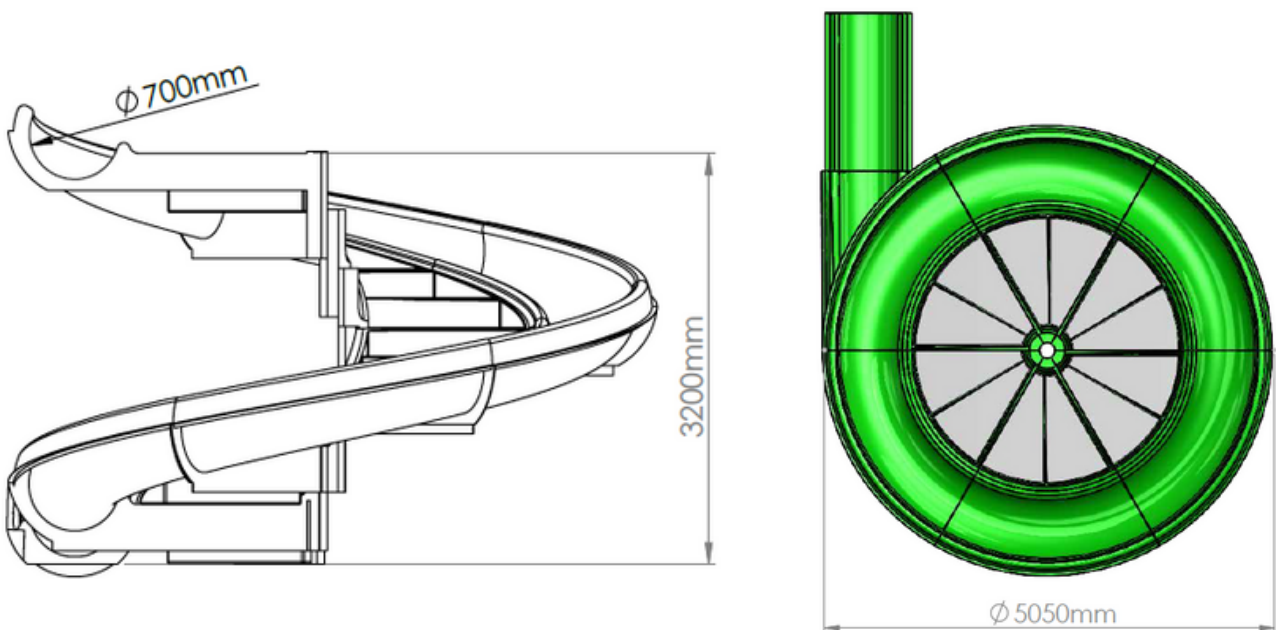
- High sides for optimum safety
- Integrated hand hold rails
- Non-slip grip steps and platform
- Includes pump and plumbing
- Includes installation manual
- Different entry options



Stepslide

Our Stepslide is a great feature piece that provides a full 360 degree turn with steps on the inside of the slide for a quick and safe climb back to the top.

Stepslide



Stepslide Combo

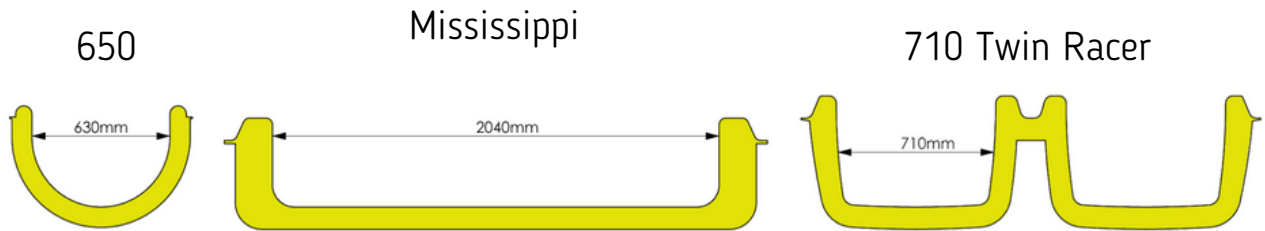
- The Stepslide works well with a combination of slides from the same platform.
- Most commonly coupled with the 650 Speed Slides or a Mississippi Slide.
- Also works well on a wet deck.



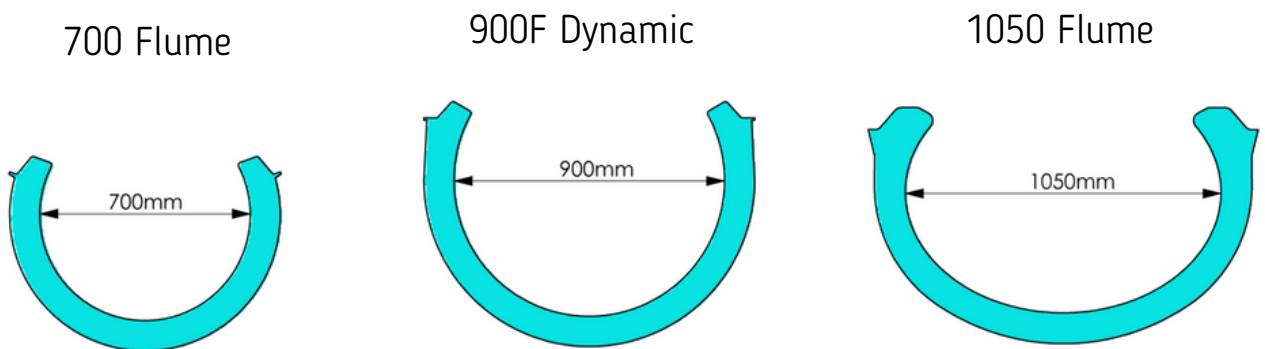
Types of Custom Slides

Speed, Flume, Enclosed & Specials

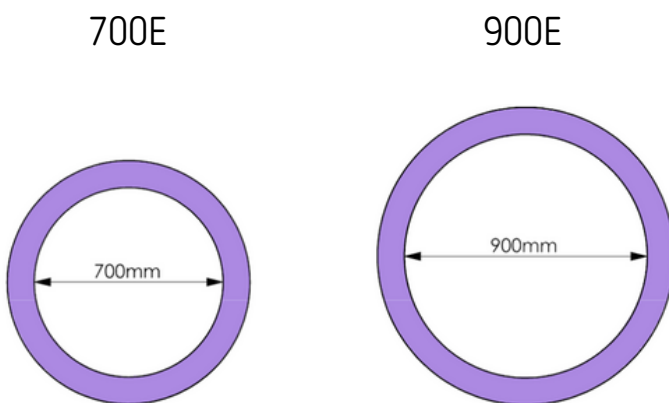
Speed Slides



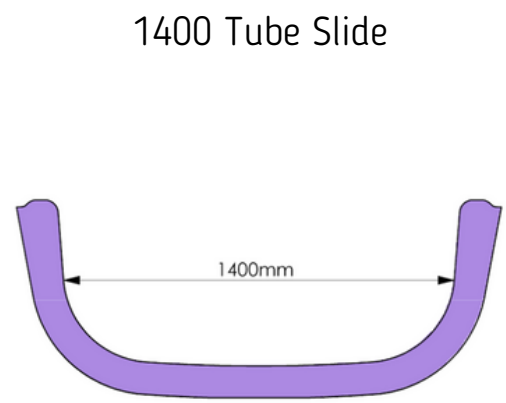
Flume Slides



Enclosed Slides



Tube Slide



Speed Slides

Speed slides use a mixture of straight, convex and concave pieces in a straight line, adding a rush for the daredevil that has a need for speed.

Mississippi

- The Mississippi is our widest Speed Slide and the ideal family ride.
- Commonly used off of a platform with other products.
- Can be used on a wet deck with a shutdown lane.



650



- The 650 Speed Slide is our most commonly ordered custom product.
- A wonderful and simple addition to any slide platform.
- Our most affordable custom product.

Speed Slides

710 Twin Racer



- The 710 Twin Racer Speed Slide is a slide used to race against your friends.
- The Twin Racer has two 710 Slides joined and can also be placed next to one another, as seen in the picture above.
- With multiple colour options, the 710 Twin Racer adds a splash of colour and competitive spirit to your water park.

Flume Slides

Flume Slides are a great addition to any water park, providing the opportunity to add some exciting twists and turns.

- Flume slides come in 3 sizes, namely the 700 Flume, 900 Dynamic and the 1050 Flume.
- Customers very often choose more than one colour for their flume slides, adding more flare and fun to the flume's twists and turns.

700 Flume



Flume Slides

900 Dynamic



1050 Flume



Enclosed Slides

Enclosed Slides work similarly to flume slides, in that they provide the ability to add, fully covered twists and turns to your ride experience.

- Enclosed slides come in 2 sizes, namely the 700E and 900E.
- Enclosed slides are very often used in transition slides.
- Transition slides provide the opportunity to move from one type, or size, of slide to the next.

700 Enclosed



900 Enclosed



Splash Equipment

Splash equipment, used on a wet deck, provides added value to your water park for younger users.

- The effects of falling water in unknown intervals allows the younger user to get the thrill of being splashed in a safe environment.

Water Mushroom



*Available in 1.25m and 2m Diameter

Tipping Bucket



4-Way Tilting Cones



Wet Deck

A wet deck can be used with a number of applications such as splash equipment, slides with shutdown lanes or a combination of these. This provides a low risk environment for younger users.

- Waterslides SA can guide you in the development of a unique wet deck area for your water park.
- Make use of one platform with multiple slides and shutdown lanes, landing in your wet deck area.
- With a combination of slides and splash equipment, you can provide an overload of water park fun for younger users.

Childrens Wet Deck



Slide Specifications

Slide Type	Flow Rate (l/S)	Speed (km/h)	Width (mm)	Depth (mm)	Rec. Pump Size
650 Speed Slide	9	20 - 40	630	450	1.1kW
Mississippi Speed Slide	18	20 - 30	1830	400	2.2kW
710 Twin Racer	10	20 - 40	710	500	2.2kW
700 Flume	60	10 - 18	700	520	7.5kW
900 Dynamic	80	10 - 18	900	700	11kW
1050 Flume	80	10 - 18	1050	680	11kW
700 Enclosed	60	10 - 18	700	700	7.5kW
900 Enclosed	80	10 - 18	900	900	11kW
1400 Tube Slide	100	10 - 18	1400	600	15kW
Mini Speed	12	20	600	400	0.5kW
Sling Slide	12	18	800	500	0.5kW
Stepslide	9	20 - 30	700	350	1.1kW

Colour Options

Recommended Colours



white



powder
grey



mineral
grey



mist grey



lime green



loerie
green



traffic
orange



canary
yellow



strong
blue



knysna blue



pool blue



jacaranda
purple



sandstone



linen



castaway
almond



light stone

*Other colour are available upon request.



**For inquiries,
contact us.**

www.waterslidessa.co.za
sales@waterslidessa.co.za
031-701-0722



@waterslidessa